



DIRECTIONS:

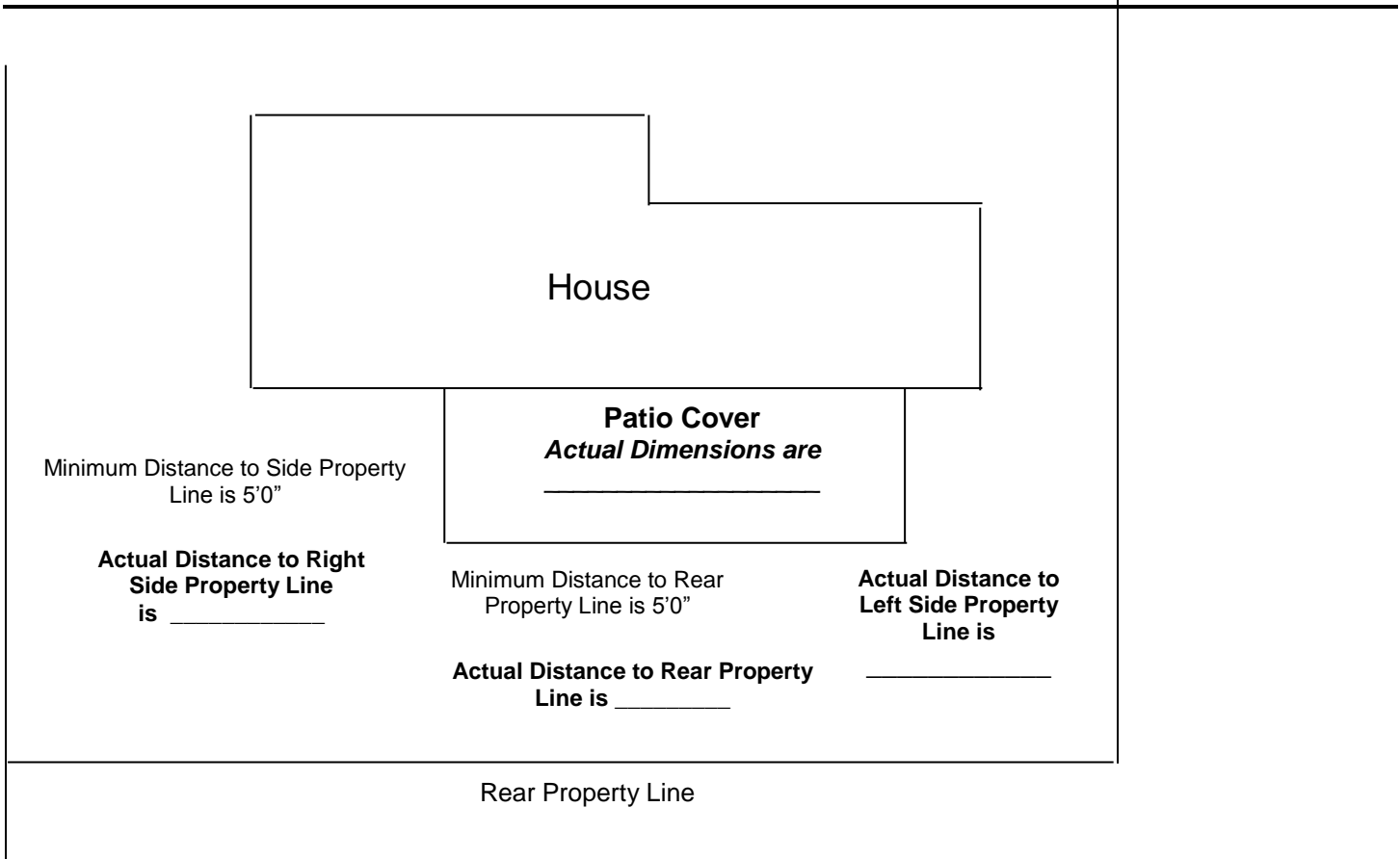
Please fill-out and highlight the specific material and specifications that will be utilized for this project. These standards are for the **City Standard Attached Solid/Lattice Patio Cover**. Engineered alternatives may be approved (wet signed/stamped plans are required).

Disclaimer:

Use of this conventional standard design is at the user's risk and carries no implied or inferred guarantee against failure or defects.

Plot Plan (Please Fill-Out)

Street



**Please note Side and Rear Yard Setbacks on the Plot Plan.
Please note actual dimensions for the Patio Cover on the Plan.**

General Notes

1. Front yard setbacks are variable.
2. Side yard setback to any patio post is five (5) feet.
3. Rear yard setback to any patio post is five (5) feet.
4. Eaves shall not extend beyond one-third the distance to the property line. For example, a five (5) foot setback would permit for a twenty (20") inch eave.

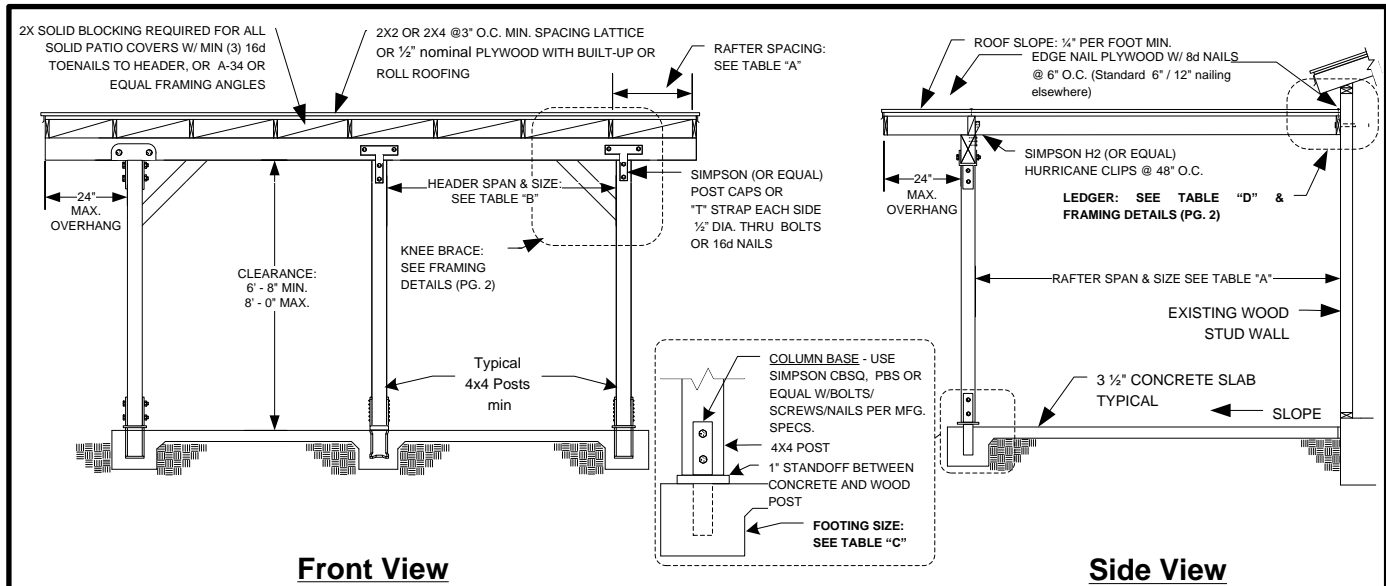


TABLE "A" RAFTER SPANS (DOUGLAS FIR #2 OR BETTER)			TABLE "B" HEADER SIZE & SPANS (DOUGLAS FIR #2 OR BETTER)		TABLE "C" FOOTING SIZE	TABLE "D" LEDGER BOLTING Δ	
SIZE	SPACING	SPAN	RAFTER SPAN	HEADER	BASED ON 1000 P.S.F. SOIL BEARING PRESSURE.	ALL LAG BOLTS SHALL HAVE 1/4" PRE-DRILLED HOLES - (SEE NOTE 2)	
				SPAN			SIZE
2 x 4	12" O.C.	9' - 10"	UP TO 12'-0"	8'-0" MAX	4 x 6	18" SQ. X 12" DEEP	1/2" DIA. X 5" LONG AT 16" O.C. STAGGERED
	16" O.C.	8' - 11"		10'-0" MAX	4 x 8	18" SQ. X 12" DEEP	
	24" O.C.	7' - 8"		12'-0" MAX	4 x 10	18" SQ. X 12" DEEP	
	32" O.C.	*6' - 3"		14'-0" MAX	4 x 12	18" SQ. X 12" DEEP	
2 x 6	12" O.C.	15' - 4"	12'-1" TO 20'-0"	8'-0" MAX	4 x 8	24" SQ. X 12" DEEP	(2) 3/8" DIA X 5" LONG AT 16" O.C.
	16" O.C.	13' - 9"		10'-0" MAX	4 x 10	24" SQ. X 12" DEEP	
	24" O.C.	11' - 3"		12'-0" MAX	4 x 12	24" SQ. X 12" DEEP	
	32" O.C.	*9' - 7"		14'-0" MAX	4 x 14	24" SQ. X 12" DEEP	
2 x 8	12" O.C.	20' - 0"	NOTES: 1. TWO 2X MEMBERS MAY BE SUBSTITUTED FOR ONE 4X HORIZONTAL FRAMING MEMBER. 2. LAG BOLTS MUST FULLY ENGAGE A WOOD STUD OR RIM JOIST AND BE PROVIDED WITH APPROPRIATE WASHERS. LAG BOLTS SHALL BE LOCATED A MINIMUM OF 1-1/2" FROM THE TOP OR BOTTOM OF THE LEDGER. 3. NOT DESIGNED TO BE ENCLOSED - ADDITIONAL ENGINEERING ANALYSIS WILL BE REQUIRED IF ENCLOSED. 4. SEE PAGE 2 OF 2 FOR CONSTRUCTION DETAILS.				
	16" O.C.	18' - 2"					
	24" O.C.	14' - 10"					
	32" O.C.	*12' - 8"					
2 x 10	12" O.C.	20' - 0"					
	16" O.C.	20' - 0"					
	24" O.C.	18' - 11"					
	32" O.C.	*16' - 2"					
4 x 4	24" O.C.	10' - 0"					
	32" O.C.	*9' - 3"					
	48" O.C.	*7' - 8"					
4 x 6	24" O.C.	15' - 11"					
	32" O.C.	*13' - 9"					
	48" O.C.	*11' - 3"					
4 x 8	24" O.C.	20' - 0"					
	32" O.C.	*18' - 2"					
	48" O.C.	*14' - 10"					

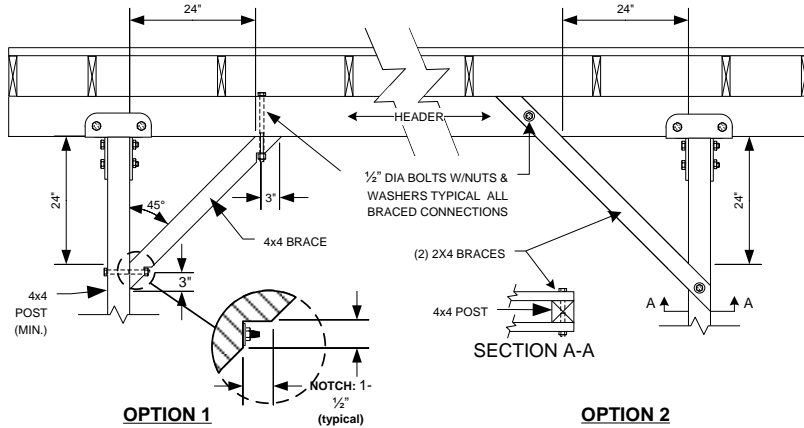
* THIS SPACING AND SPAN IS FOR LATTICE PATIO COVERINGS ONLY.

DISCLAIMER:

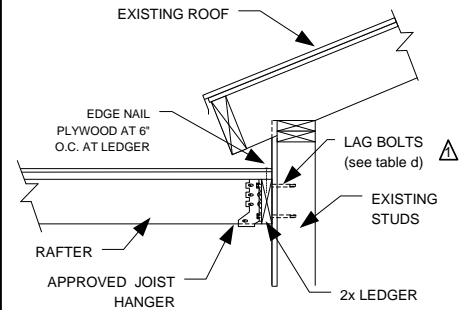
Alternate patio designs may be possible when provided with an engineered analysis. Use of this conventional standard design is at the user's risk and carries no implied or inferred guarantee against failure or defects.

Western Riverside County Code Uniformity Program	
	City of Temecula Building Department ATTACHED PATIO COVER STANDARD
951-694-6439	41000 Main Street Temecula, CA 92590
FAX 951 694-6478	03/17/2014 Δ CD_21_Attached Patio Cover.vsd
	PAGE 1 OF 2

KNEE BRACE DETAIL AT END POSTS (REQUIRED WHEN RAFTER SPAN EXCEEDS 12 FT.)

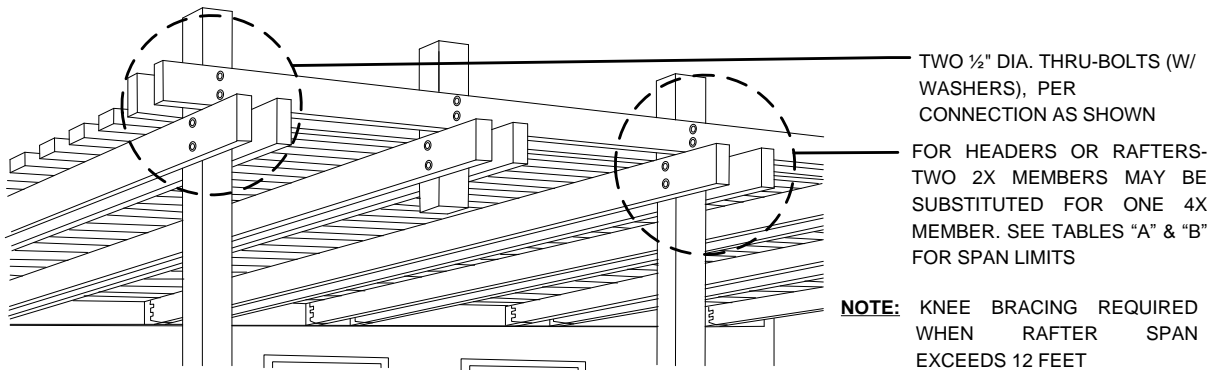


LEDGER ATTACHMENT DETAIL

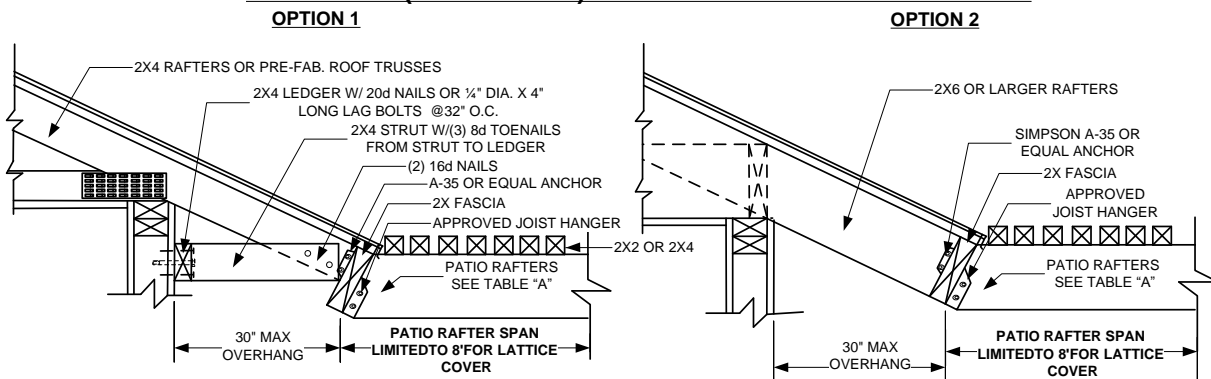


- NOTES:**
1. USE A CONTINUOUS 2X LEDGER – SAME DEPTH AS RAFTER OR LARGER
 2. SEE TABLE "D" FOR BOLTING REQUIREMENTS

INVERTED HEADER DESIGN OPTION (LATTICE ONLY)



2X FASCIA (OVERHANG) ATTACHMENT – LATTICE ONLY



NOTE: VERIFY STRUCTURAL SOUNDNESS OF ROOF RAFTERS FOR DECAY OR TERMITE DAMAGE, AND REPLACE WITH LIKE MATERIALS AS NEEDED, AFTER CONSULTATION WITH THE BUILDING DEPARTMENT.

Western Riverside County Code Uniformity Program



**City of Temecula
Building Department
ATTACHED PATIO COVER
STANDARD**

951-694-6439

41000 Main Street
Temecula, CA 92590

FAX 951 694-6478

03/17/2014

CD_21_Attached Patio
Cover.vsd

PAGE 2 OF 2