



# Freestanding Lattice Patio Cover

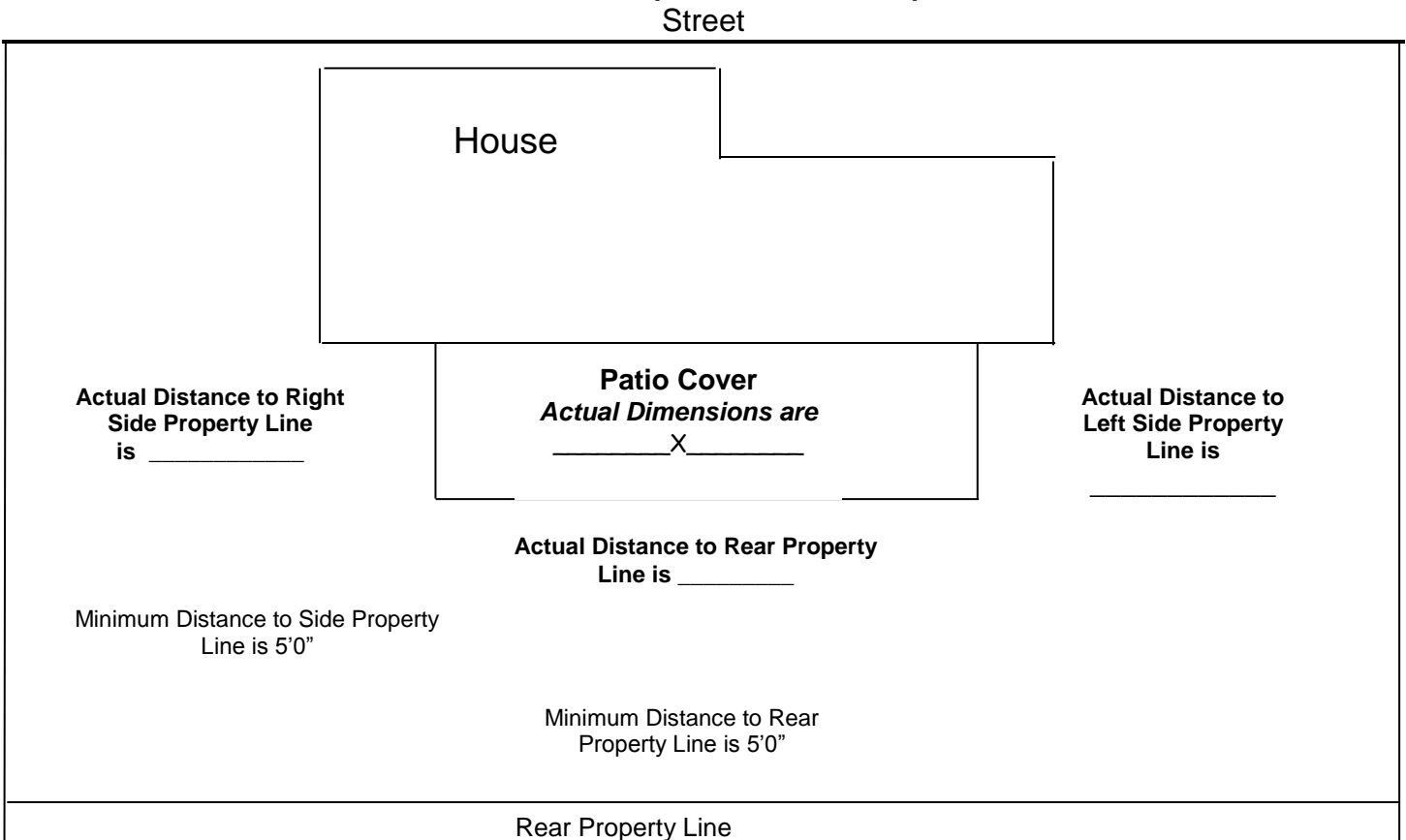
## DIRECTIONS:

Please fill-out and highlight the specific material and specifications that will be utilized for this project. These standards are for the **City Standard Freestanding Lattice Patio Cover**. Engineered alternatives may be approved (wet signed/stamped plans are required).

## Disclaimer:

*Use of this conventional standard design is at the user's risk and carries no implied or inferred guarantee against failure or defects.*

## Plot Plan (Please Fill-Out)

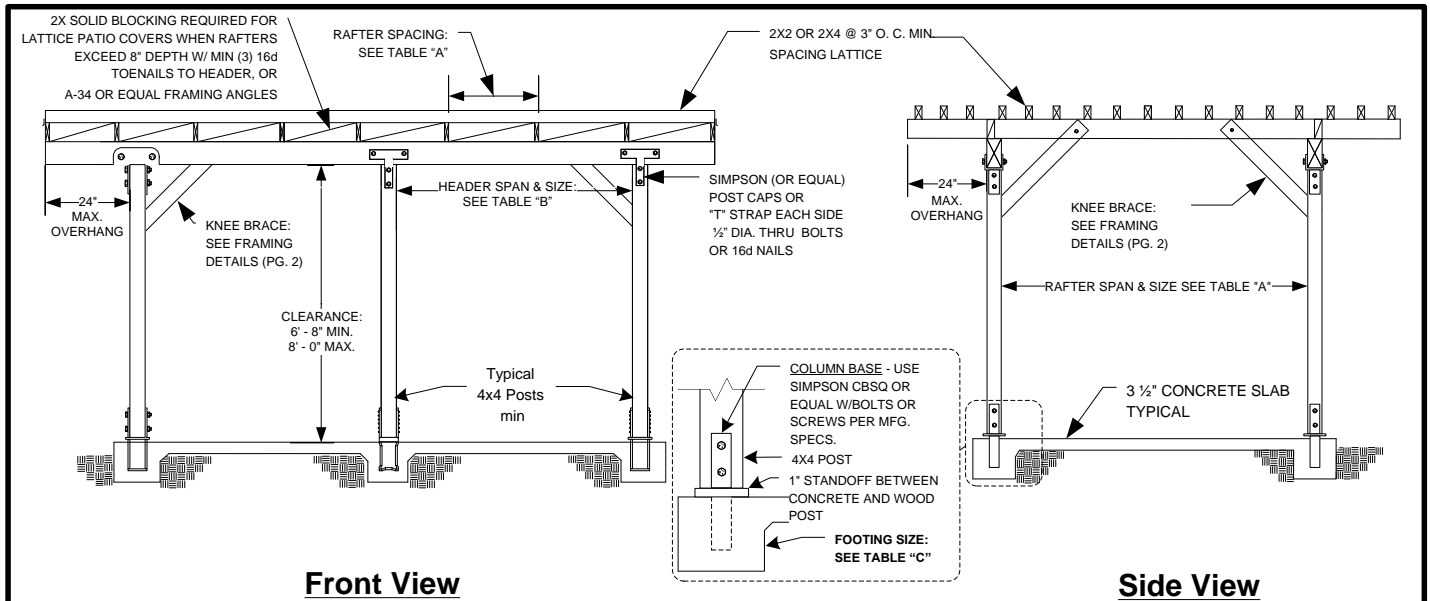


**Please note Side and Rear Yard Setbacks on the Plot Plan.  
Please note actual dimensions for the Patio Cover on the Plan.**

### General Notes

1. Front yard setbacks are variable.
2. Side yard setback to any patio post is five (5) feet.
3. Rear yard setback to any patio post is five (5) feet.
4. Eaves shall not extend beyond one-third the distance to the property line. For example, a five (5) foot setback would permit for a twenty (20") inch eave.

# Freestanding Lattice Patio Cover



Front View

Side View

TABLE "A" RAFTER SPANS (DOUGLAS FIR #2 OR BETTER)			TABLE "B" HEADER SIZE & SPANS (DOUGLAS FIR #2 OR BETTER)			TABLE "C" FOOTING SIZE
SIZE	SPACING	SPAN	RAFTER SPAN	HEADER		BASED ON 1000 P.S.F. SOIL BEARING PRESSURE.
				SPAN	SIZE	
2 x 4	12" O.C.	9' - 10"	UP TO 12'-0"	8'-0" MAX	4 x 6	18" SQ. X 20" DEEP
	16" O.C.	8' - 11"		10'-0" MAX	4 x 8	18" SQ. X 20" DEEP
	24" O.C.	7' - 8"		12'-0" MAX	4 x 10	18" SQ. X 20" DEEP
	32" O.C.	6' - 3"		14'-0" MAX	4 x 12	18" SQ. X 20" DEEP
2 x 6	12" O.C.	15' - 4"	12'-1" TO 20'-0"	8'-0" MAX	4 x 8	24" SQ. X 20" DEEP
	16" O.C.	13' - 9"		10'-0" MAX	4 x 10	24" SQ. X 20" DEEP
	24" O.C.	11' - 3"		12'-0" MAX	4 x 12	24" SQ. X 20" DEEP
	32" O.C.	9' - 7"		14'-0" MAX	4 x 14	24" SQ. X 20" DEEP
2 x 8	12" O.C.	20' - 0"				
	16" O.C.	18' - 2"				
	24" O.C.	14' - 10"				
	32" O.C.	12' - 8"				
2 x 10	12" O.C.	20' - 0"				
	16" O.C.	20' - 0"				
	24" O.C.	18' - 11"				
	32" O.C.	16' - 2"				
4 x 4	24" O.C.	10' - 0"				
	32" O.C.	9' - 3"				
	48" O.C.	7' - 8"				
4 x 6	24" O.C.	15' - 11"				
	32" O.C.	13' - 9"				
	48" O.C.	11' - 3"				
4 x 8	24" O.C.	20' - 0"				
	32" O.C.	18' - 2"				
	48" O.C.	14' - 10"				

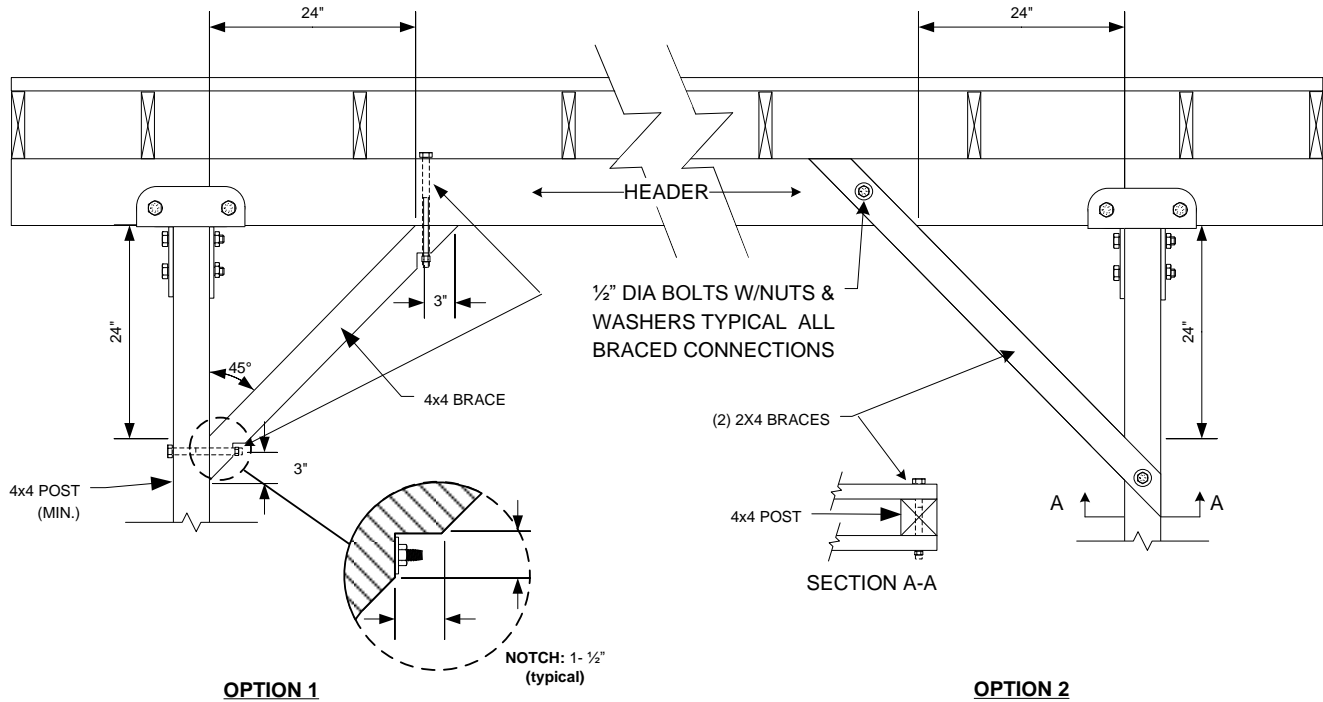
**DISCLAIMER:**  
 Alternate patio designs may be possible when provided with an engineered analysis. Use of this conventional standard design is at the user's risk and carries no implied or inferred guarantee against failure or defects.

**NOTES:**

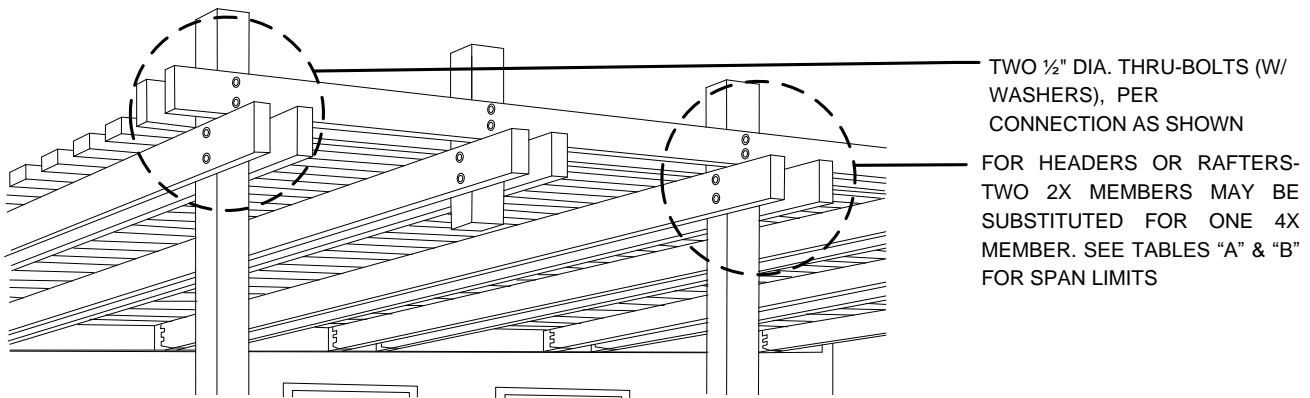
- TWO 2X MEMBERS MAY BE SUBSTITUTED FOR ONE 4X HORIZONTAL FRAMING MEMBER.
- LUMBER SHALL BE DOUGLAS FIR LARCH NO. 2 OR BETTER AND SHALL BEAR A GRADE STAMP.
- CONCRETE SHALL BE 1 PART CEMENT, 3 PARTS SAND AND 4 PARTS GRAVEL, VOLUMETRIC MEASURE, WITH NO MORE THAN 7 1/2 GALLONS OF WATER PER SACK OF CEMENT.
- ALL METAL HARDWARE & FASTENERS SHALL BE GALVANIZED OR EQUALLY APPROVED CORROSION RESISTANCE.
- NOT DESIGNED TO BE ENCLOSED - ADDITIONAL ENGINEERING ANALYSIS WILL BE REQUIRED IF ENCLOSED.
- SEE PAGE 2 OF 2 FOR CONSTRUCTION DETAILS.

	<b>City of Temecula          Building Department</b>		
	<b>FREE STANDING LATTICE PATIO COVER</b>		
951-694-6439	41000 Main Street Temecula, CA 92590		
Fax 951-694-6478	03/17/2014	CD_20_Free Standing Lattice Patio Cover.vsd	PAGE 1 OF 2

**KNEE BRACE DETAIL AT POSTS**



**INVERTED HEADER DESIGN OPTION (LATTICE ONLY)**



	<b>City of Temecula Building Department</b>		
	<b>FREE STANDING LATTICE PATIO COVER</b>		
<b>951-694-6439</b>	41000 Main Street Temecula, CA 92590		
<b>Fax 951-694-6478</b>	03/17/2014	CD_20_Free Standing Lattice Patio Cover.vsd	PAGE 2 OF 2